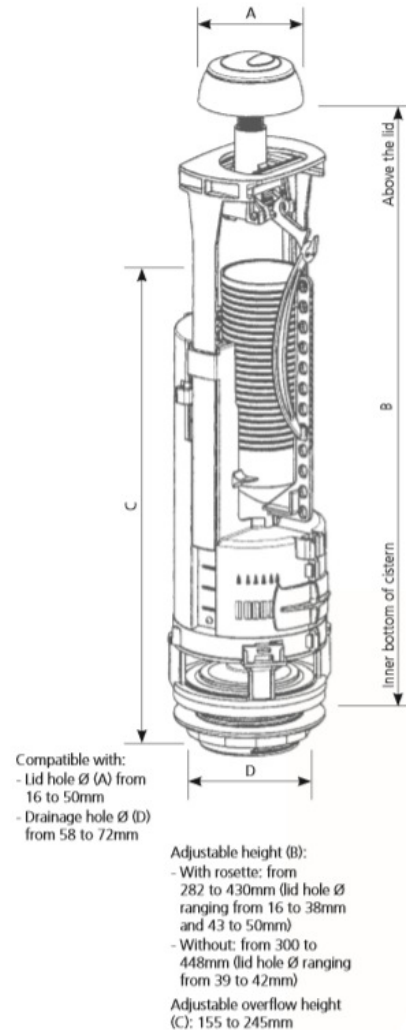


SIAMP OUTLET VALVE



DESCRIPTION

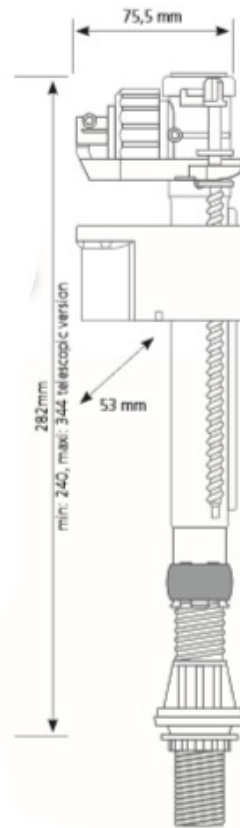
- To be installed into plastic or ceramic cisterns
- Push button: **double flush**
- **Actuation effort below 20N**
- For lid holes ranging from \varnothing 16 to 50mm, with or without escutcheon depending on the diameter
- Button off-center +/- 15mm
- **Adjustable bracket every 12mm, allows maintaining lid**
- Adjustable overflow every 4mm
- **Adjustable small flush**
- **Adjustable dead water level**
- High flow rate plug (2.75l/s), made from ABS, heavy duty design
- NR/EPDM valve for a total tightness
- SBS moulded elastomer plug seal, shape and elasticity reinforce tightness
- Foam pan seal for compensating pan irregularity
- Available for one-piece toilet



SIAMP INLET VALVE

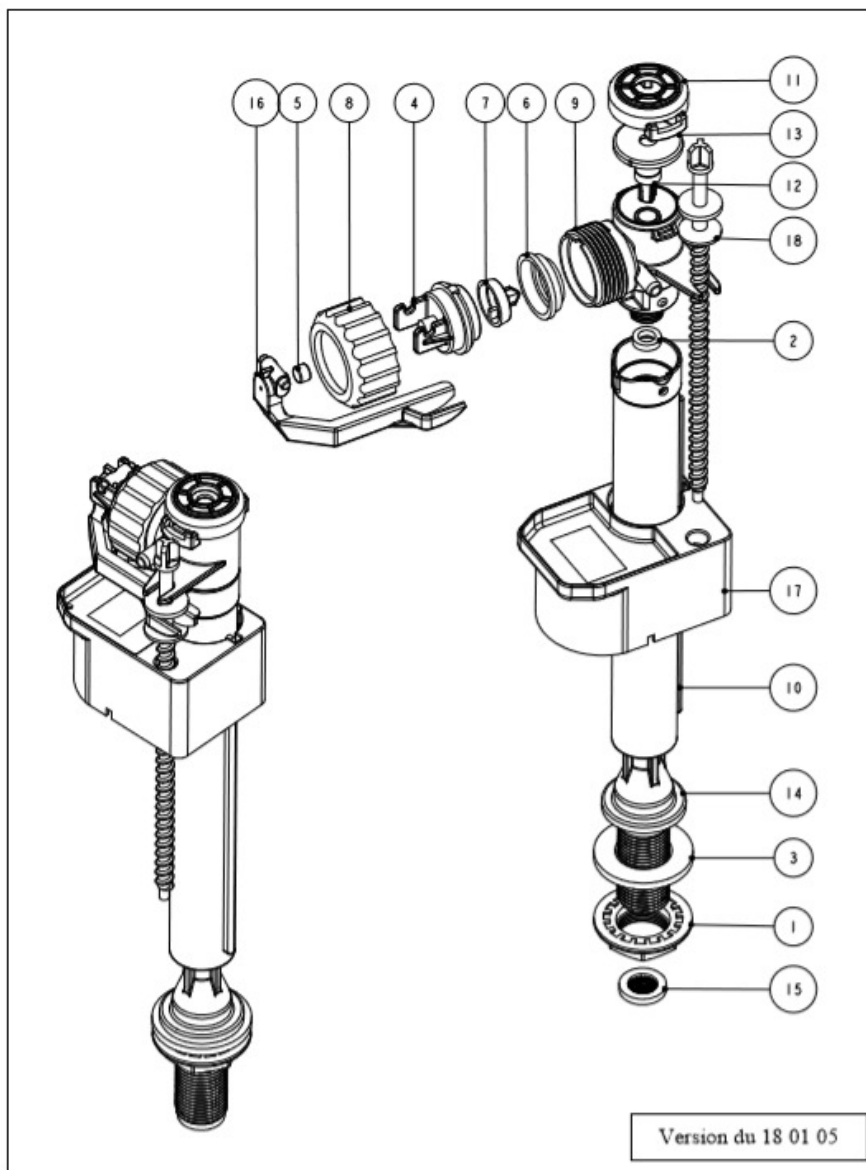


99B
high pressure
From 0.5 to
16 bars
Flow rate:
0.14l/s at 3 bars



DESCRIPTION

- To be installed into ceramic or plastic cisterns, for replacement or as original equipment
- **Hydraulic closure** (no water hammer shock)
- **Adjustable water level**
- **Silent**
- Anti-backflow function
- Brass or plastic versions end fitting
- Telescopic version available
- **Pressure function range:** from 0.5 to 16 bars (low pressure and high pressure)
- **Refill option** for each of the 4 models



Robinet 99B Compact Embout 1/2 Plastique

Rep	Nbr	Désignation	Référence
18	1	Ajustable screw	34 9915 00
17	1	Float	34 9914 00
16	1	Arm	34 9913 00
15	1	Seal filter ½	34 9909 00
14	1	Inlet tube ½ plastic	34 931300
13	1	Air intake membrane	34 9907 00
12	1	Shutter	34 9906 00
11	1	Air intake cap	34 9905 00
10	1	Filling tube	34 9904 00
09	1	Body	34 9901 00
08	1	Head nut	34 9509 00
07	1	Inset	34 9514 00
06	1	Membrane	34 9513 00
05	1	Valve	34 9512 00
04	1	Inlet head	34 9510 00
03	1	Nipple seal	34 9317 00
02	1	US seal	34 9910 00
01	1	Fixing nut	34 9315 00

SIAMP
Monaco

Mécanisme OPTIMA 49 ETRIER
Bouton Optima V1D40 Chromé

Rep	Nbr	Désignation	Référence
24	1	Spring button Optima V1D40	34 4933 00
23	1	Rosette D50 w/ chromium	34 4926 05
22	1	Operating rod	34 4923 00
21	1	Small button V1D40 w/ chromium	34 4922 05
20	1	Large button V1D40 w/ chromium	34 4921 05
19	1	Optima D40 case w/ chromium	34 4920 05
18	1	Lift rod	34 4919 00
17	1	Stirrup	34 4918 00
16	1	Runner	34 4917 00
15	1	Nut	34 4916 00
14	1	Lever holder	34 4915 00
13	1	Stirrup holder	34 4914 00
12	1	Shutter	34 4913 00
11	1	Left encloser	34 4912 00
10	1	Right encloser	34 4911 00
09	1	Small flush float	34 4910 00
08	1	Float guide	34 4909 00
07	1	Swing	34 4908 00
06	1	Large flush float	34 4907 07
05	1	Overflow tube	34 4906 00
04	1	Bottom seal	34 4905 00
03	1	Strainer NF	34 2333 00
02	1	Strainer seal	34 0320 00
01	1	Strainer nut	34 0304 00

SIAMP
Monaco

Version du 01-01-06